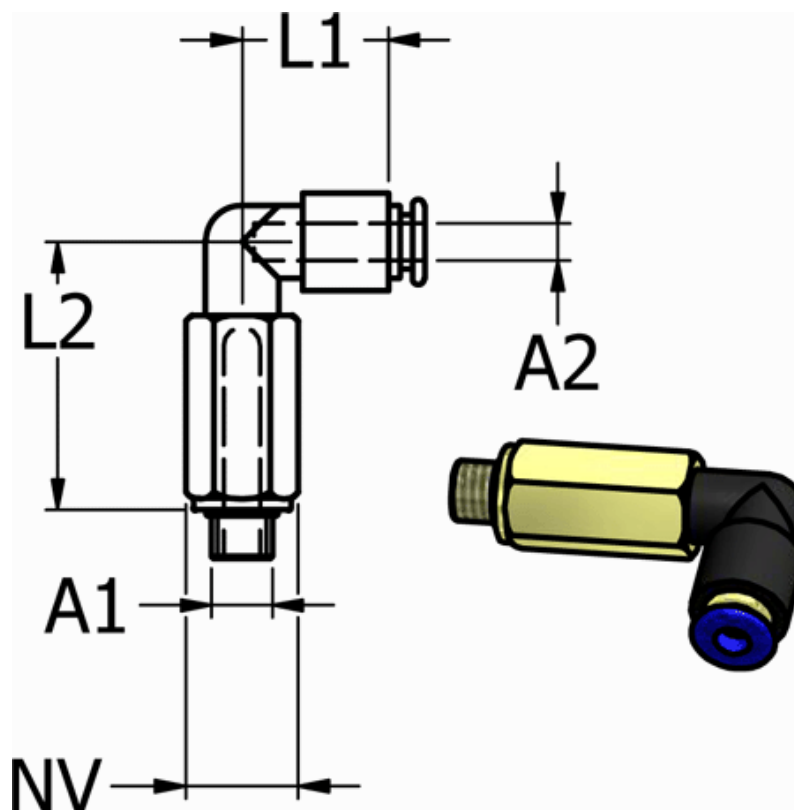


Article number: 586PLL63

Description: Mini Push-in PLL63, angle, M6 hose Ø3

Measures



Ext. hose diameter A2 = 3 mm

L1 = 24

L2 = 16.5

NV = 10

Thread A1 = M6